



DUX AXION
TWIN/90-120



ASSEMBLY INSTRUCTIONS

DUX, DUXIANA and DUX Pascal-systems are registered
trademark owed by Dux Design AB 2012.
Printed 2021.02.01

dux.com



HARDWARE



Hand control



x4 Wheels



Retainer bar

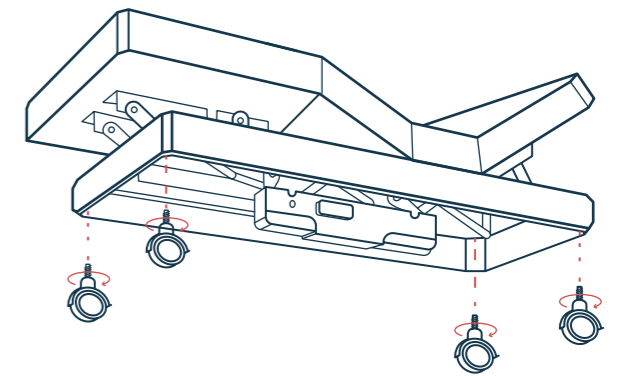


Torx T30
(included)

ASSEMBLING

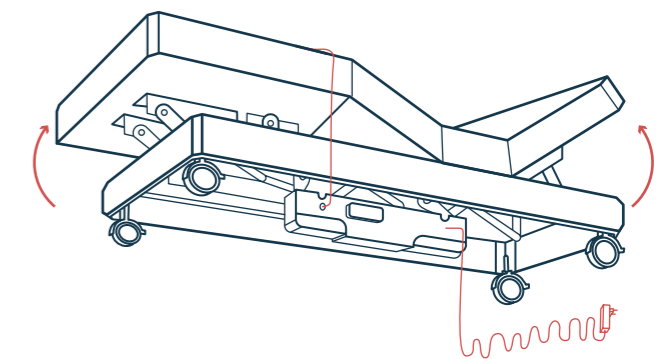
I. ATTACH THE WHEELS

Flip the bed over and attach the wheels.



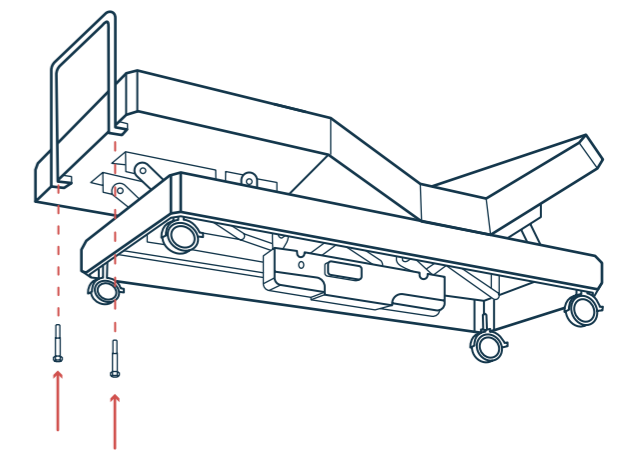
II. RAISE THE HEAD AND FOOT END

Connect the remote control cable to motor (follow the remote instructions). Plug the outlet. Raise the head and foot end to the maximum height.



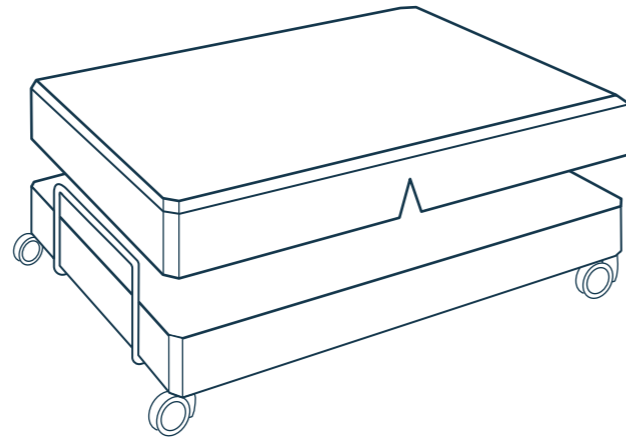
III. MOUNT THE RETAINER BAR

While the head and foot ends are raised, mount the retainer bar. Remove the screws at the foot end and use them to fasten the retainer bar to the bed.

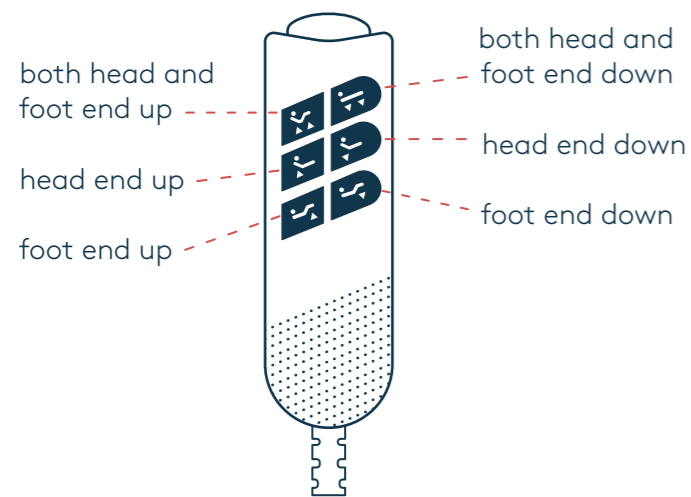


IV. LOWER THE BED AND ADD THE SPRINGTOP

Lower the bed to the original flat position and add the springtop with the split at the head-end of the bed.



THE HAND CONTROL

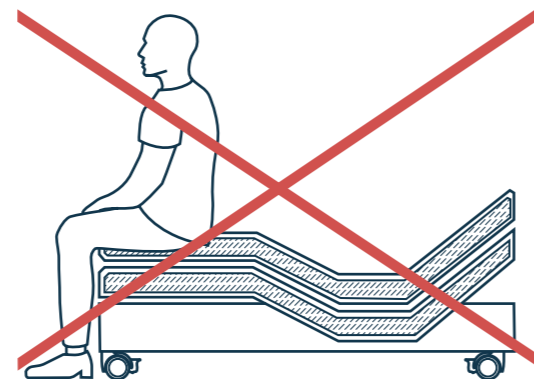


The motor comes with two 9V batteries. The batteries are used to lower the ends to their original flat position in the case of a power failure. (Test batteries often)

NOTE: The bed cannot be raised with only battery power.

CONSUMER CAUTION

Do not sit on the head- or foot-end while adjusting the bed.



TROUBLE SHOOTING

PROBLEM

Lift motors do not work at all.

POSSIBLE CAUSE AND CORRECTION

Power at wall outlet may be out; reset circuit breaker.

Power cord may be unplugged; plug in cord.

PROBLEM

Head or foot section will not go all way down.

POSSIBLE CAUSE AND CORRECTION

Head or foot section may have an obstruction.

Move the bed to the up position, then remove the obstruction.

If the problem persists, contact Customer Service.

PROBLEM

Head or foot end will not go up or starts and stops intermittently.

POSSIBLE CAUSE AND CORRECTION

Contact the DUXIANA store or a DUX reseller.

All replacements and service should be performed by a DUX authorized service dealer.